



# M2M 2G/3G

## SureCall Machine-to-Machine Cellular Signal Booster

### OVERVIEW

SureCall's M2M industrial-quality signal booster delivers optimum cellular enhancement for all machine-to-machine applications. M2M increases critical 2G/3G signals and is designed to be connected directly to a modem or data card. Multiple connector options are included with these M2M booster kits to accommodate various applications. Features sturdy metal construction and an industry leading 3-year warranty.

### BOOSTER KIT

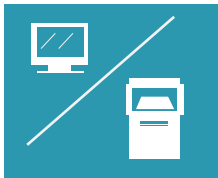
- M2M Booster
- External 6" Antenna
- SMA-Male / SMA-Male Connector Cable - RG-58, 6 ft
- SMA-Male / FME-Female Connector Cable - RG-174, 5.5 ft
- SMA-Male / MMCX-Male Connector Cable - 2 ft
- SMA-Male to FME-Male Connector (part SC-CN-06)
- Mounting Kit (Velcro and plastic anchors with screws)
- AC Power Supply



SureCall M2M 2G/3G Signal Booster

### APPLICATIONS

- Wireless Alarm Panels
- ATMs
- Vending Machines
- Lotto Machines
- Digital Signage
- Remote Monitoring



# M2M 2G / 3G

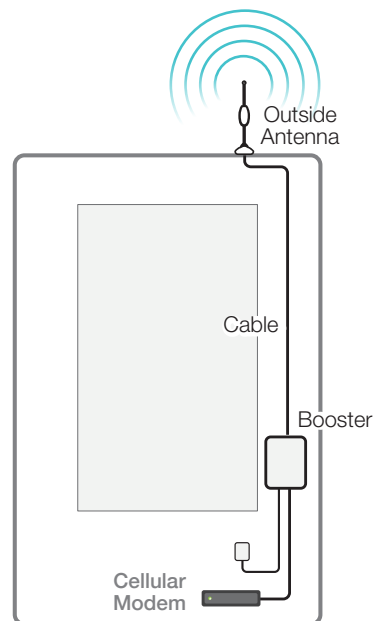
## Machine-to-Machine Cellular Signal Booster

### SPECIFICATIONS

Model No.	SC-Solol-15
Uplink Frequency Range (MHz):	824-849 / 1850-1910
Downlink Frequency Range (MHz):	869-894 / 1930-1990
Input/Output Impedance:	50 $\Omega$
Maximum Gain:	15 dB
Noise Figure:	5 dB
VSWR:	$\leq 2.0$
AC Power Transmitter:	110VAC, 60Hz IN / 5-12V DC OUT
Maximum Output Power:	1 Watt EIRP
Cable:	RG-58, RG-174
RF Connectors:	SMA Female (both ends)
Power Consumption:	<10W
Dimensions:	4.875" x 2.75" x 1"
Weight:	.57 lb
FCC ID (USA):	RSNM2M

Specifications are subject to change.

### INSTALLATION EXAMPLE



This is a CONSUMER device.

**BEFORE USE, you MUST REGISTER THIS DEVICE with your wireless provider and have your provider's consent.** Most wireless providers consent to the use of signal boosters. Some providers may not consent to the use of this device on their network. If you are unsure, contact your provider. You **MUST** operate this device with approved antennas and cables as specified by the manufacturer. Antennas **MUST** be installed at least 20 cm (8 inches) from any person. You **MUST** cease operating this device immediately if requested by the FCC or a licensed wireless service provider. **WARNING.** E911 location information may not be provided or may be inaccurate for calls served by using this device.