

SignalMax Fiber DAS

SignalMax Fiber DAS is an advanced wireless solution that delivers all-carrier 5G/LTE coverage for ultra-fast data speeds and strong voice connectivity throughout large offices, enterprise buildings, and commercial spaces up to 500K sq ft. As the first FCC-certified Part 20 hybrid-fiber DAS system, SignalMax leverages the power of fiber optics for consistent signal integrity with low-latency over vast distances, making it ideal for large-scale and multi-building applications. Fiber-optic transport of RF and data signals from the Main Unit to Remote Unit(s) enables virtually loss-less transmission offering exceptional in-building performance and expandability.

- Quickly scalable to meet coverage requirements by incorporating additional remote units and indoor server antennas. Modular architecture is flexible, ensuring seamless integration with existing infrastructure that can be tailored to any building or floor plan.
- SureCall's proprietary Extended Range Technology™ (ERT) overcomes signal loss in the outdoor cable by amplifying cell signals at the strongest point for industry-best performance, maximum connectivity, and fastest data speeds.
- 5G-compatible ensuring buildings are future-proofed as 5G technology expands, positioning the system as a long-term investment compared to competitors that may require add-ons with significant costs.
- Remote monitoring services for 24/7 access are available through SureCall Cloud IoT, the industry's most advanced booster management and control suite.
- Includes SureCall's Bluetooth mobile app with signal meter functionality that provides on-site signal strength and real-time performance readings to optimize performance during installation.



*SignalMax Fiber DAS
Cellular System for Large
Enterprise Buildings*

TECHNICAL SPECIFICATIONS

Uplink Frequency Range (MHz):	698–716 / 776–787 / 824–849 / 1850–1915 / 1710–1755
Downlink Frequency Range (MHz):	728–746 / 746–757 / 869–894 / 1930–1995 / 2110–2155
Donor/Server Port Impedance:	50 ohm
Maximum Gain:	64dB (<1GHz), 72dB (>1GHz)
Noise Figure:	<8 dB
Supported Standards:	5G / 4G / LTE cellular standards
Maximum Uplink Power:	30 dBm EIRP
Maximum Downlink Power:	17 dBm EIRP
Fiber/Cable:	Single mode optical cable: System supports SMF optical fiber lengths up to several kilometers.

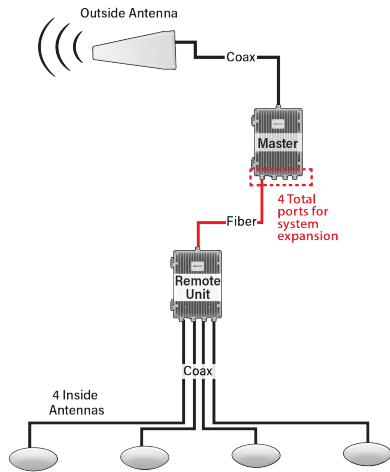
MASTER UNIT (WHITE)

Dimensions:	5.5 x 9.3 x 13.4 in
Weight:	14.5 lbs
RF/Optic Connectors:	1 N-Female / 4 SC UPC Female
Operation Temperature (°F):	-22°F to +158°F (-30°C to +70°C)
Power Consumption:	<30 W
AC Input:	48VDC
FCC Certifications:	Part 15, Part 20, Part 22, Part 24, Part 27 Case Rating: IP66
User Interface (carrier selection):	BLE & IoT (with SMA antenna) / GPS (with SMA antenna)

REMOTE UNIT (GREY)

Dimensions:	5.5 x 9.3 x 13.4 in
Weight:	14.7 lbs
RF/Optic Connectors:	4 N-Female / 1 SC UPC Female
Operation Temperature (°F):	+23°F to +131°F (-5°C to +55°C)
Power Consumption:	<40 W
DC Input:	24VDC
FCC Certifications:	Part 15, Part 20, Part 22, Part 24, Part 27
User Interface (carrier selection):	BLE (with SMA antenna)

The modular design of the hybrid-fiber DAS system allows for seamless upgrades and add-ons. As wireless demands increase, SignalMax Fiber DAS can scale accordingly. The standard kit, with four interior antennas, covers approximately 50,000 sq ft, and can expand up to 125,000 sq ft with additional accessories. SureCall offers [iBwave Design Service](#) to ensure complete coverage tailored to specific floorplans and layouts.



Standard kit (SC-MaxFiberMURU) includes:

- (1) Outside donor antenna (SC-530W)
- (1) 10 ft low-loss SC-400 coax cable, terminated (SC-001-10)
- (1) Master unit (SC-FMU)
- (1) 20 ft 14-gauge ground wire with terminals (SC-GND20)
- (1) 250 ft fiber optic cable, terminated (SC-SMF250)
- (1) Remote unit (SC-FRU)
- (1) 500 ft low-loss SC-400 coax cable, un-terminated (SC-001-500)
- (10) N-Male compression connectors (SC-CN-30)
- (4) Inside server antennas (SC-628CBM)

Add-on kit (SC-MaxFiberRU) includes:

- (1) Remote unit (SC-FRU)
- (1) 250 ft fiber optic cable, terminated (SC-SMF250)
- (4) 2W termination load connector up to 6 GHz (TL2W)

Expansion options: Coverage can be extended up to 500K sq ft by incorporating (3) additional remote units and up to (16) inside antennas on each remote unit. The example below features (4) remote units with (4) inside antennas per unit.

