

SureCall C-Band MIMO Indoor Dome Antenna (SC-622CBM)

Inside Ceiling-Mount Antenna

Overview

Designed to provide strong omni-directional coverage throughout indoor areas, the SureCall C-Band Dome Antenna is a ceiling-mounted inside antenna that performs best when placed in the center of the desired coverage area.

This MIMO antenna transmits and receives signals in 360° and is designed to cover 3300-4000 MHz frequencies.

- » N-Female connectors (50 Ω)
- » 4 / 5 dBi max gain
- » C-Band 5G (3300 - 4000 MHz)
- » Includes mounting hardware
- » Connects to booster with SC-400 cable (sold separately)



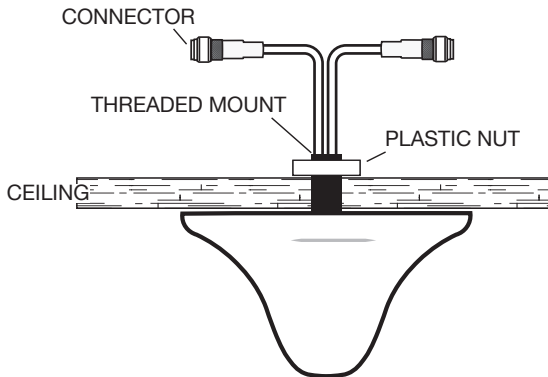
Specifications

Frequency	3300-4000 MHz
Vertical Beamwidth	55°
Max. Gain	4 / 5 dBi
VSWR	≤ 2
Input Impedance	50 Ω
Polarization Type	Vertical and horizontal
Max Power	50W
Radiation Pattern	Omni-directional
Connector Type	N-Female
Mount Type	Ceiling-mounted installation
Dimensions	6.6 in (diameter) x 3.7 in (height)
Weight	0.44 lbs
Cover Material	ABS (White)
Operating Temp.	-40 to +140°F (-40~60°C)

Installation

1. Drill a 1.0 - 1.2 in diameter hole in the ceiling. The ceiling thickness should not exceed 0.8 inches.
2. Unscrew fixing nut from antenna. Place antenna cable through ceiling hole. Screw the fixing nut back onto the antenna and cable on the crawl-space side of the ceiling and fasten.
3. Connect antenna connector to the appropriate cable for your booster kit that leads to the booster port marked INSIDE.
4. Tighten fixing nut to secure antenna.

Storage and transportation: Store and place in non-extreme room temperature and dry environment only. This antenna should not be used near open flames.



Compatibility

Booster Compatibility: SureCall C-Band signal boosters

Cable Compatibility: Low loss coax cables with N Male