



C-BAND MULTI-CARRIER WIDEBAND UPGRADE KIT

SC-5G-CB-WB

The SpeedLink 5G C-Band Signal Booster ships 'narrowband' supporting the 3.7-3.84 GHz and can be easily and configured with this Wideband Upgrade Kit to support the 'wideband' 3.7-3.98 GHz C-band spectrum, for futureproofing and the ability to install one system that covers multiple carriers.

This upgrade kit contains the parts needed to modify the outdoor portion of installation to support the additional C-Band frequencies once the wideband frequencies are remotely activated.

Kit includes:

- ① Exterior MIMO antenna
- ② Cable connectors (x8)
- ③ Two-way splitters (x2)

Additional parts needed:

- SC-400 cable (custom lengths, available separately) (x 4)

Wideband Activation

After purchase, our US-based support team remotely configures the booster to support additional C-band frequencies prior to arrival of this kit.



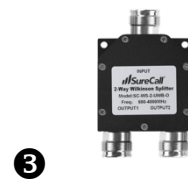
SC-650CBM (QTY 1)

Outdoor donor panel antenna with pole mounting hardware



SC-CN-43 (QTY 8)

4.3-10 Male type crimp cable connectors

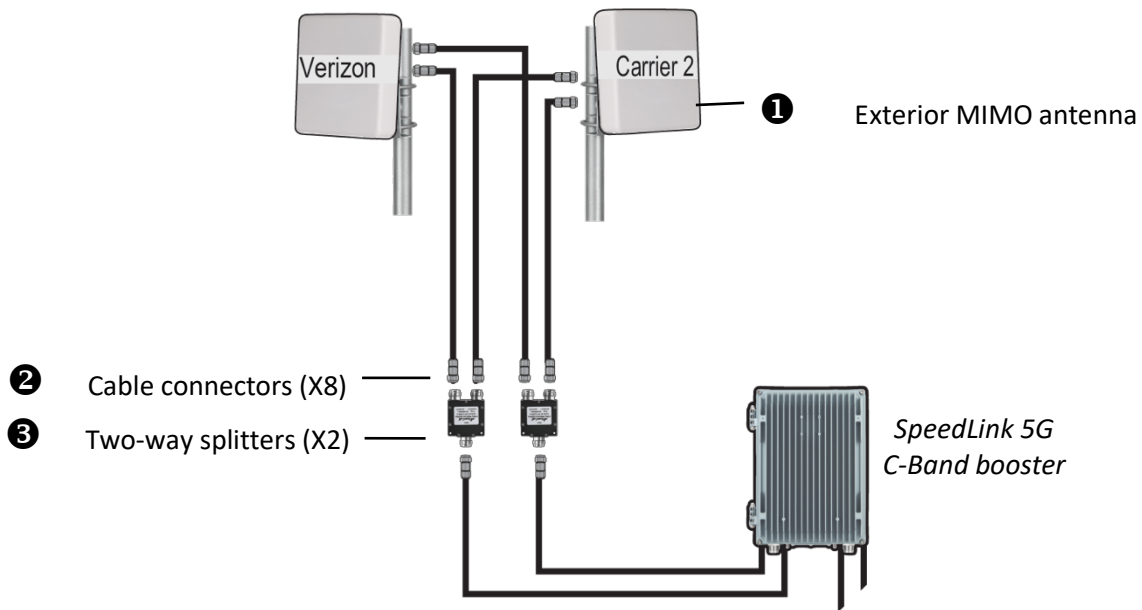


SC-WS-UWB-O (QTY 2)

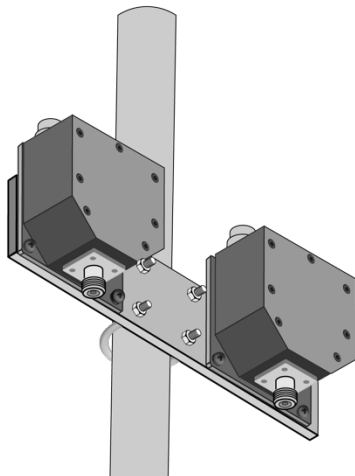
2-way splitters with 4.3-10 Female connectors

Includes outdoor mounting bracket for the splitters (fits 1.2-2" diameter pole)

C-BAND MULTI-CARRIER WIDEBAND UPGRADE KIT INSTALLATION DIAGRAM



TWO-WAY SPLITTERS WITH POLE-MOUNT HARDWARE



For more information, please contact our 100% US-based tech support team Monday - Friday at 888-365-6283 or support@surecall.com.